

DS-2CE56D1T-IRM



Key Features

- 2 Megapixel high-performance CMOS
- Turbo HD output, up to 1080P resolution
- True Day/Night, Smart IR
- Up to 20m IR distance
- IP66 weatherproof
- OSD menu

Specification

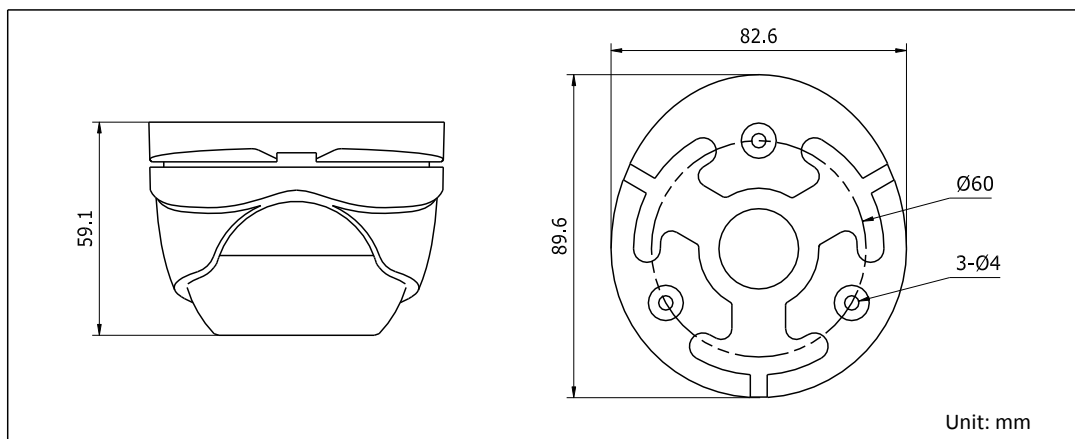
Model	DS-2CE56D1T-IRM
Parameter	Turbo HD1080p IR Turret Camera
Camera	
Image Sensor	2MP CMOS Image Sensor
Signal System	PAL/NTSC
Effective Pixels	1984(H)*1105(V)
Min. Illumination	0.01 Lux @ (F1.2,AGC ON),0 Lux with IR
Shutter Time	1/25(1/30) s to 1/50,000 s
Lens	2.8mm, 3.6mm, 6mm optional
	Angle of View: 105.8°(2.8mm), 84.3°(3.6mm), 55.4°(6mm)
Lens Mount	M12
Angle Adjustment	Pan: 0 - 360°, Tilt: 0 - 75°, Rotation: 0 - 360°
Day & Night	ICR
Synchronization	Internal synchronization
Video Frame Rate	1080p@25fps/1080p@30fps
HD Video Output	1 Analog HD output
S/N Ratio	> 62dB
Menu	

AGC	High/Medium/Low/Off
D/N Mode	Smart IR/Color/BW
White Balance	Auto/Manual
BLC	Support
Language	English
Functions	Digital noise reduction, Mirror
General	
Working Temperature/Humidity	-40 °C - 60 °C (-40 °F - 140 °F) Humidity 90% or less (non-condensing)
Power Supply	12V DC±15%
Power Consumption	Max. 4W
Weather Proof Ratings	IP66
IR Range	Up to 20m
Communication	Up the coax Protocol: HIKVISION-C(Coaxitron)
Dimension	89.6 × 59.1 mm (3.53" × 2.33")
Weight	400g (0.88 lb)

Order Model

DS-2CE56D1T-IRM

Dimension



Accessory



DS-1272ZJ-110-TRS

Wall Mounting



DS-TT-X41T

TVI Tester

DS-1275ZJ

Vertical Pole Mounting



DS-1280ZJ-XS

Junction box

DS-1276ZJ

Corner Mounting

DS-1H18

Video Balun