

V350

Finger Vein Standalone Access Control Terminal



V350 is an IP-based finger vein terminal used for access control. It can support to work in standalone mode, or connect to third party access control panel by using wiegand interface.

With independent patent vein recognition technology, V350 has many advantages. It can identify fake finger; not affected by external light and the fingerprint wear. It can also effectively identify finger desquamate.

Features

- Work in standalone mode or TCP/IP connected
- Reliable, durable and highly accurate authentication
- 2.8 inch capacitive screen
- Full access control function

Specifications

Core board	ZMM220
CPU	1.2GMHz
Communication	TCP/IP, RS485
Vein Capacity	1,000
RF Card	EM, Mifare (Optional)
Authentication	Finger vein, Password, card (Optional)
Auxiliary terminal	1 Aux. input
Wiegand	Wiegand in and out
Display	2.8-inch capacitive screen
Operating Voltage	DC 12V 3A
Operating Temperature	-10°C ~ 45°C
Dimensions	232mm×91mm×117mm(length×width×thickness)
SDK	PULL SDK (new firmware)

Optional Accessories



Exit Button



Break Glass Button



Electric Lock

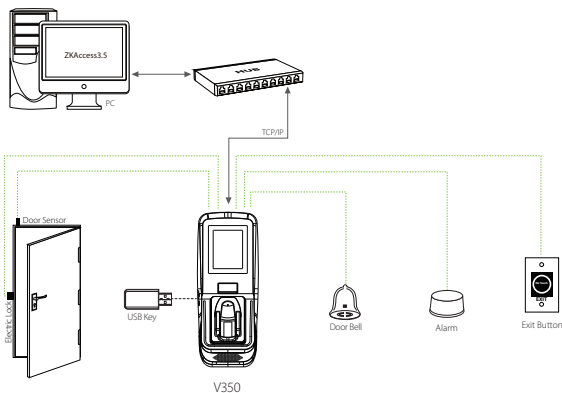


Alarm

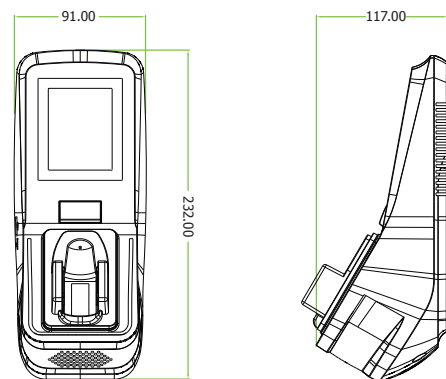


Sensor

Configuration



Dimensions (mm)



ZKTeco Inc.
E-mail: sales@zkteco.com
www.zkteco.com

© Copyright 2015 ZKTeco Inc. ZKTeco Logo is a registered trademark of ZKTeco or a related company. All other product and company names mentioned are used for identification purposes only and may be the trademarks of their respective owners. All specifications are subject to change without notice. All rights reserved.